

The Coda range offers infinite configuration flexibility to allow specification for every public space.

The Coda fingerpost is highly versatile and its visual detailing can be specified to coordinate with the Coda furniture or any public realm design theme.

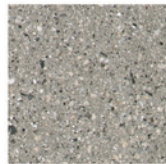
A maximum of 10 fingerposts can be configured across 8 points of the compass. Lettering on each of these fingerposts is engraved and hand painted giving high quality and robust finish.

A coordinating Coda concrete finial and anodised painted post can be specified or the fingerpost is versatile enough to accommodate any custom colour and finial detail.

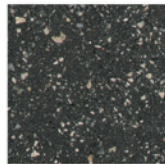
- Coda finial available in three complementary concrete colours for design flexibility and to coordinate with Marshall's Metrolinia and Conservation Paving.
- Coda post available in subtle yet luxurious RAL 9007 'Grey Aluminium' colour.



SILVER GREY



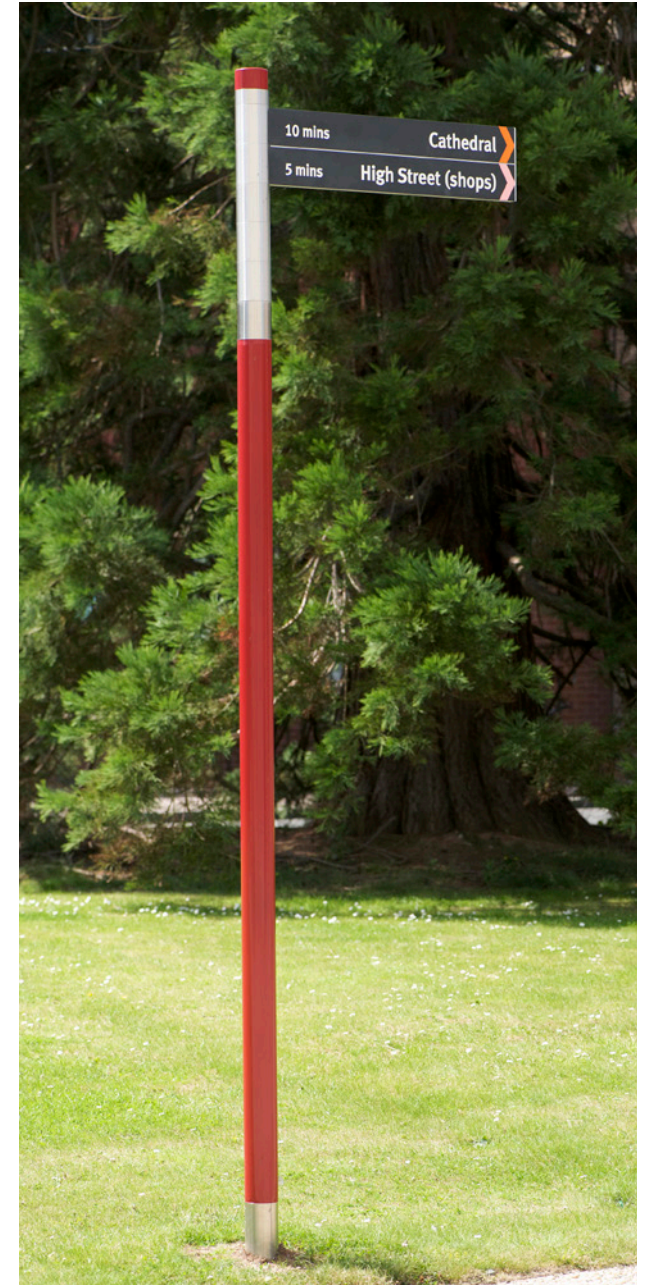
MID GREY

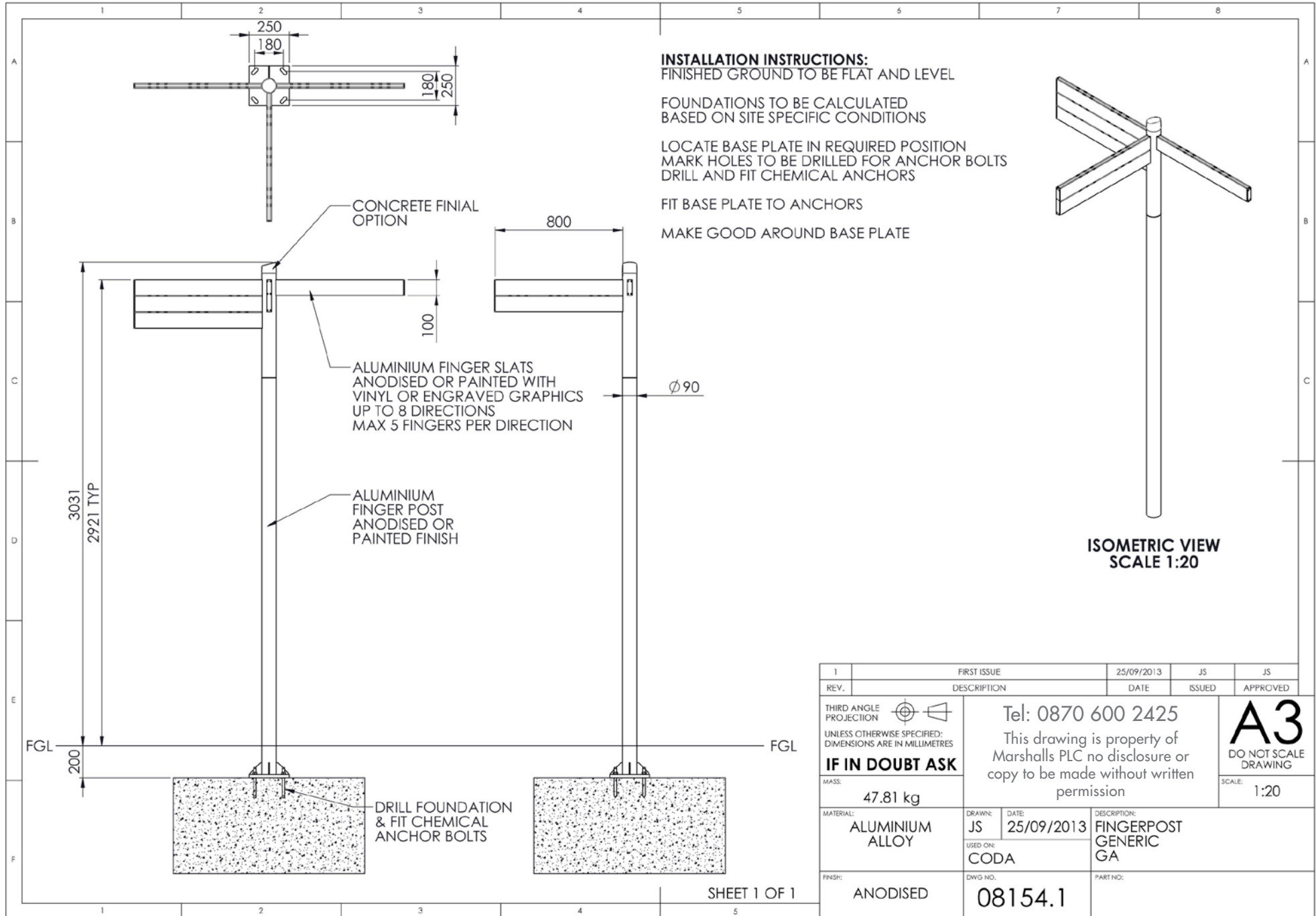


ANTHRACITE

Product Name	Coda Fingerpost Assembly Flange Fixed	Coda Fingerpost Assembly Planted Root
Height (mm)	3050	3050
Weight (kg)	60	60
Colour	Anodised Anolok Black	Anodised Anolok Black
Buried Base Depth (mm)	200	800
Base Diameter (mm)	90	90
Top Diameter (mm)	90	90
Mounting Type	Buried Flange	Buried Root
Body/Frame Material	Aluminium	Aluminium
Finger Material	Aluminium	Aluminium
Finger Finish	Painted or Anodised	Painted or Anodised
Additional Information	Fingers can be painted to any RAL colour or Anodised to limited range of colours. Lettering is Engraved and paint infilled to any RAL colour	

## Bespoke Signage Finishes





REV.	DESCRIPTION	DATE	ISSUED	APPROVED
1	FIRST ISSUE	25/09/2013	JS	JS
THIRD ANGLE PROJECTION		Tel: 0870 600 2425		<b>A3</b> DO NOT SCALE DRAWING
UNLESS OTHERWISE SPECIFIED: DIMENSIONS ARE IN MILLIMETRES <b>IF IN DOUBT ASK</b>		This drawing is property of Marshalls PLC no disclosure or copy to be made without written permission		
MASS: 47.81 kg		SCALE: 1:20		
MATERIAL: ALUMINIUM ALLOY		DRAWN: JS USED ON: CODA	DATE: 25/09/2013	DESCRIPTION: FINGERPOST GENERIC GA
FINISH: ANODISED		DWG NO: 08154.1	PART NO:	